

## DS-D6055TL-B

### Indoor Wall-Mounted Digital Signage

The digital signage is used to broadcast information, release news, advertise products, etc., which is widely applicable to industry of entertainment, finance, traffic, etc.



### Feature and Function

- **Metallic Appearance**

Light weight body with integrative design. The front high-transmittance tempered glass provides reliable protection.

- **Exquisite Image**

Industrial A+ interface, auto-coloring and image-enhancing engine.

- **Variable Materials**

Static and dynamic materials, including pictures, audio, video, scrolling subtitle, PDF, webpage, live video, number calling, pop-up pictures, etc.

- **Flexible Program Schedule**

- Free schedule and district display of multiple materials.
- Multiple play modes with customization support.

- **Centralized Management**

- Remotely control and manage one or more screens, such as timed startup/shutdown, quick startup/shutdown, brightness/volume timed adjustment, and screenshot preview.
- Remote program release and local (USB) program update.

- **Organization Permission**

- 5-level organization available for managing materials, programs, terminals, and users.
- Create custom user with precise permission assignment. Multiple permission templates available.

- **Multiple Security Safeguards**

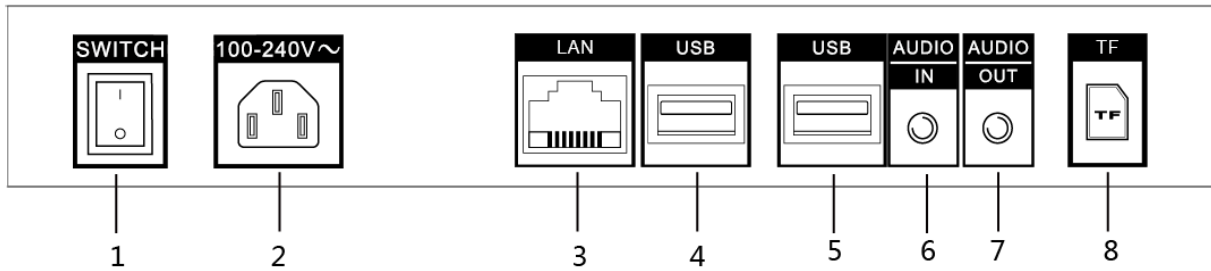
- 3-level check of materials, programs, and schedules to prevent mistake release. Screensaver password to protect displaying.
- Encryption of data storage and transmission to avoid data tampering.
- With no default password, users can activate and set initial password to guarantee the password safety.



## Specification

| Model           |                               | DS-D6055TL-B   |
|-----------------|-------------------------------|--|
| Display         | Screen size                   | 54.64 inch   |
|                 | Active display area           | 1209.6 (H) × 680.4 (V) mm (47.62 × 26.79 inch)   |
|                 | Backlight                     | LED backlight  |
|                 | Pixel pitch                   | 0.21(H) × 0.63(V) mm   |
|                 | Resolution                    | 1920 × 1080@60 Hz  |
|                 | Brightness                    | 450 cd/m <sup>2</sup>  |
|                 | Viewing angle                 | Horizontal: 178°, Vertical: 178°   |
|                 | Color depth                   | 8 bit  |
|                 | Contrast ratio                | ≥ 3500 : 1   |
|                 | Response time                 | ≤ 6.5 ms   |
|                 | Refresh rate                  | 60 Hz  |
|                 | Color gamut                   | 68% NTSC   |
| Built-in system | Operating system              | Android 6.0.1  |
|                 | Processor                     | Cortex-A17, 4-core, 1.8 GHz  |
|                 | Memory                        | 2 GB   |
|                 | Built-in storage              | 8 GB EMMC, TF 32 GB, Max. 128 GB   |
| Touch           | Type                          | Infrared touch screen  |
|                 | Glass                         | 3 mm tempered glass, transmittance ≥ 88%   |
|                 | Touch point                   | 10 point multi-touch   |
| Interface       | Video & audio input           | 1 × AUDIO IN   |
|                 | Video & audio output          | 1 × AUDIO OUT  |
|                 |                               | 2 × built-in speaker, 8 Ω 5 W  |
|                 | Network interface             | 1 × LAN, Wi-Fi 2.4 G   |
| General         | Data transmission interface   | 2 × USB 2.0, 1 × TF Card<br>Note: The USB interface only supports for low power equipment, such as the keyboard or mouse.  |
|                 | Material type                 | DAT, MPG, VOB, TS, AVI, MKV, MP4, MOV, 3GP, TS, FLV, WEBM, ASF, MP1, MP2, MP3, WMA, WAV, OGG, OGA, FLAC, ACC, M4A, XMF, MXMF, RTTTL, RTX, OTA, IMY, JPG, JPEG, BMP, GIF, PNG |
|                 | Power supply                  | 100 to 240 VAC, 50/60 ± 3 Hz   |
|                 | Power consumption             | ≤ 120 W  |
|                 | Standby consumption           | ≤ 10 W   |
|                 | Working temperature           | 0 °C to 40 °C (32 °F to 104 °F)  |
|                 | Working humidity              | 10% to 90% RH  |
|                 | Storage temperature           | -20 °C to 60 °C (-4 °F to 104 °F)  |
|                 | Storage humidity              | 5% to 90% RH   |
|                 | Product dimensions            | 1276.56(W) × 748.56(H) × 83.29(D) mm<br>(50.26 × 29.47 × 3.28 inch) (without wall-mounted backboard)   |
|                 |                               | 1276.56(W) × 748.56(H) × 98.79(D) mm<br>(50.26 × 29.47 × 3.89 inch) (with wall-mounted backboard)  |
|                 | Package dimensions            | 1488(W) × 965(H) × 262(D) mm (58.58 × 37.99 × 10.31 inch)  |
|                 | Net weight                    | 36.21 kg (79.83 lb.)   |
|                 | Gross weight                  | 39.21 kg (86.44 lb.)   |
| Accessory       | Power cord, User manual, LOGO |  |

## Physical Interface



| No. | Interface | Description       | No. | Interface | Description       |
|-----|-----------|-------------------|-----|-----------|-------------------|
| 1   | SWITCH    | Power switch      | 2   | 100-240V~ | Power interface   |
| 3   | LAN       | Network interface | 4   | USB       | USB 2.0 interface |
| 5   | USB       | USB 2.0 interface | 6   | AUDIO IN  | Audio input       |
| 7   | AUDIO OUT | Audio output      | 8   | TF        | TF card slot      |

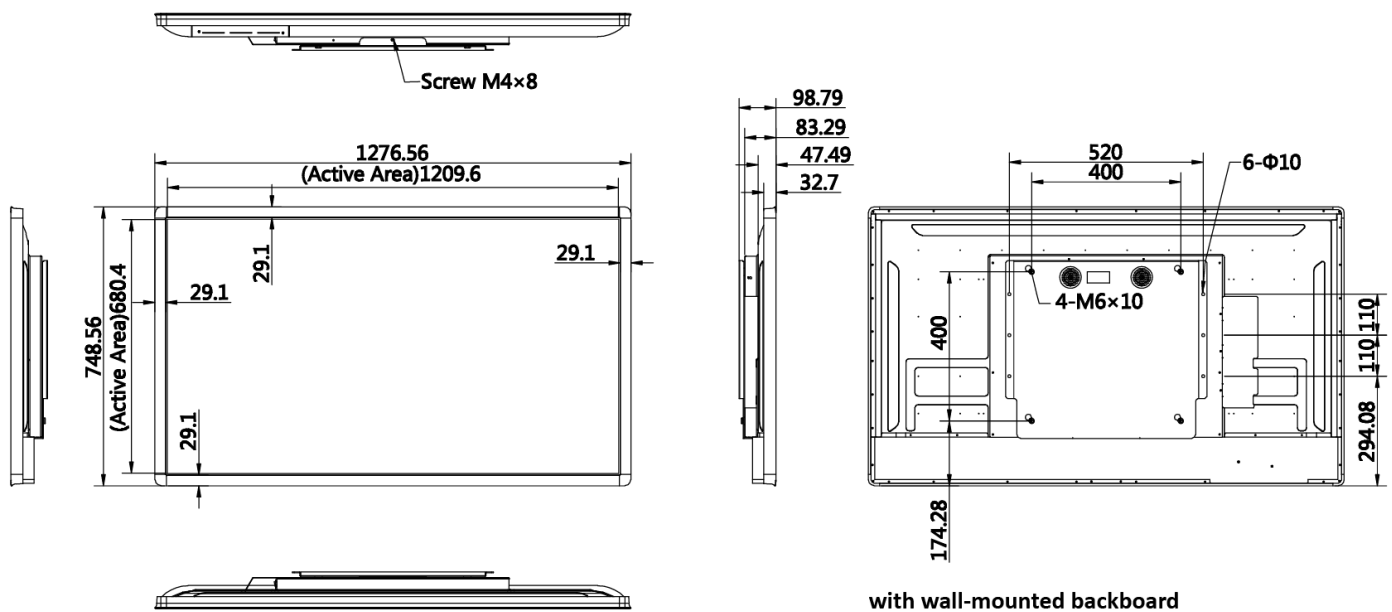
## Accessory Device

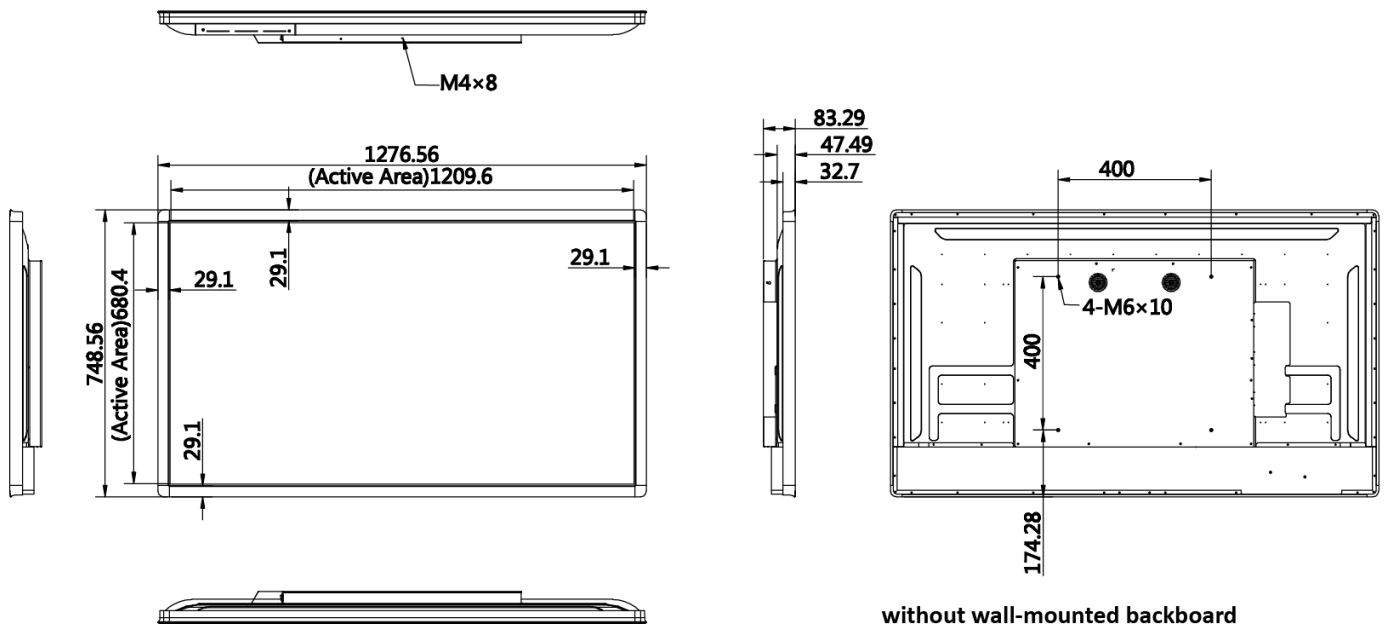
| Model     | Material Code | Description  | Picture |
|-----------|---------------|--|---------|
| DS-D60S-B | 302501753     | Information release management server (integration of software and hardware) |         |

## Available Model

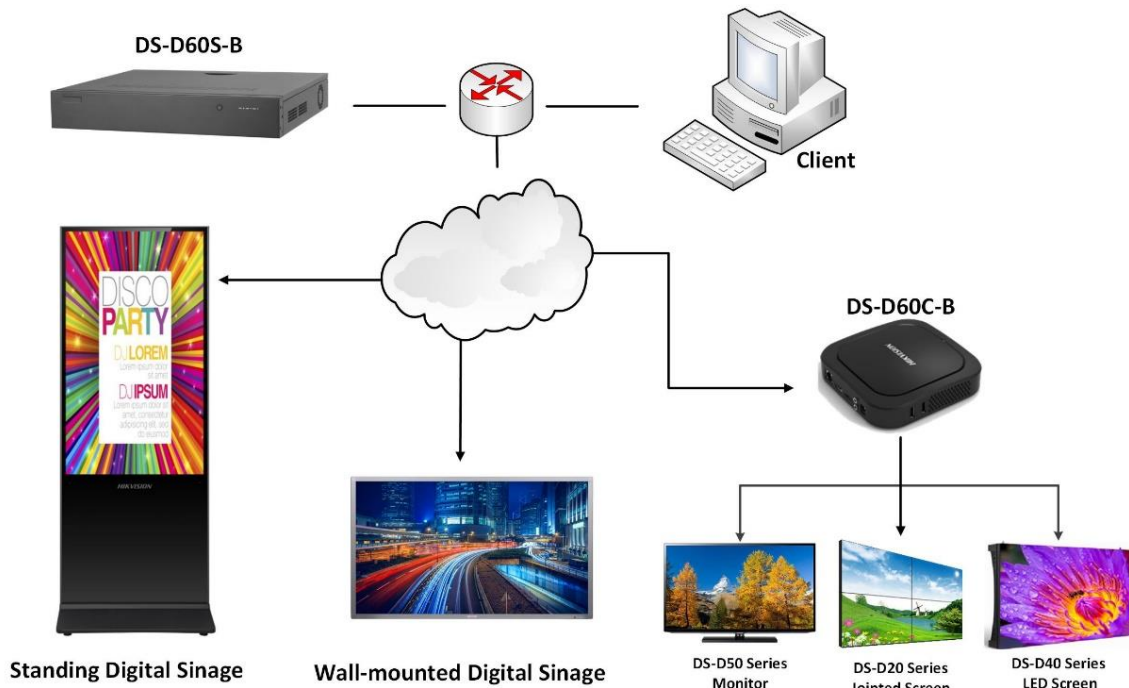
DS-D6055TL-B

## Dimension (unit: mm)





## Typical Application



Distributed by



## HIKVISION®

### Headquarters

No.555 Qianmo Road, Binjiang District,  
Hangzhou 310051, China  
T +86-571-8807-5998  
overseasbusiness@hikvision.com

**Hikvision USA**  
T +1-909-895-0400  
sales.usa@hikvision.com

**Hikvision Australia**  
T +61-2-8599-4233  
salesau@hikvision.com

**Hikvision India**  
T +91-22-28469900  
sales@pramahikvision.com

**Hikvision Canada**  
T +1-866-200-6690  
sales.canada@hikvision.com

**Hikvision Thailand**  
T +662-275-9949  
sales.thailand@hikvision.com

**Hikvision Europe**  
T +31-23-5542770  
sales.eu@hikvision.com

**Hikvision Italy**  
T +39-0438-6902  
info.it@hikvision.com

**Hikvision Brazil**  
T +55 11 3318-0050  
Latam.support@hikvision.com

**Hikvision Turkey**  
T +90 (216)521 7070- 7074  
sales.tr@hikvision.com

**Hikvision Malaysia**  
T +601-7652-2413  
sales.my@hikvision.com

**Hikvision UK & Ireland**  
T +01628-902140  
sales.uk@hikvision.com

**Hikvision South Africa**  
T +27 (10) 0351172  
sale.africa@hikvision.com

**Hikvision France**  
T +33(0)1-85-330-450  
info.fr@hikvision.com

**Hikvision Kazakhstan**  
T +7-727-9730667  
nikia.panfilov@hikvision.ru

**Hikvision Vietnam**  
T +84-974270888  
sales.vt@hikvision.com

**Hikvision UAE**  
T +971-4-4432090  
salesme@hikvision.com

**Hikvision Singapore**  
T +65-6684-4718  
sg@hikvision.com

**Hikvision Spain**  
T +34-91-737-16-55  
info.es@hikvision.com

**Hikvision Tashkent**  
T +99-87-1238-9438  
uzb@hikvision.ru

**Hikvision Hong Kong**  
T +852-2151-1761  
info.hk@hikvision.com

**Hikvision Russia**  
T +7-495-669-67-99  
saleru@hikvision.com

**Hikvision Korea**  
T +82-(0)31-731-8817  
sales.korea@hikvision.com

**Hikvision Poland**  
T +48-22-460-01-50  
info.pl@hikvision.com

**Hikvision Indonesia**  
T +62-21-2933759  
Sales.Indonesia@hikvision.com

**Hikvision Colombia**  
sales.colombia@hikvision.com