

DS-2XM6222FWD-I(M) 2 MP Mobile Network Camera



Key Features

- 1/2.7" Progressive Scan CMOS
- 2.8 mm, 4 mm, 6 mm, 8 mm, and 12 mm, optional
- 1920 × 1080 resolution
- H.265, H.265+, H.264+, H.264
- 120dB WDR
- IP67
- IR range: 10 to 30 meters
- Image enhancement: BLC, 3D DNR, HLC, defog, EIS
- 6 behavior analyses, 2 exception detections and face detection



Specifications

Camera	
Image Sensor	1/2.7" Progressive Scan CMOS
Min. Illumination	Color: 0.018 lux @(F1.2 AGC ON) B/W: 0.006 lux @(F1.2 AGC ON), 0 lux with IR
Shutter Speed	1/3 s to 1/100,000 s
Slow Shutter	Yes
Day & Night	IR Cut Filter
Digital Noise Reduction	3D DNR
WDR	120dB
2-Axis Adjustment	Pan: -20° to 20°, tilt: -15° to 20°
Lens	
Focal length	2.8 mm, 4 mm, 6 mm, 8 mm, and 12 mm, optional
Aperture	F2.0
FOV	2.8 mm: horizontal FOV 115°, vertical FOV 62°, diagonal FOV 135° 4 mm: horizontal FOV 87°, vertical FOV 48°, diagonal FOV 102° 6 mm: horizontal FOV 60°, vertical FOV 32.4°, diagonal FOV 70° 8 mm: horizontal FOV 41°, vertical FOV 23.2°, diagonal FOV 47.6° 12 mm: horizontal FOV 26.5°, vertical FOV 15°, diagonal FOV 30.5°
Lens Mount	M12
IR	
IR Range	10 to 30 m
Wavelength	850nm
Compression Standard	
Video Compression	Main stream: H.265/H.264 Sub stream: H.265/H.264/MJPEG Third stream: H.265/H.264
H.264 Type	Baseline Profile/Main Profile/High Profile
H.264+	Yes
H.265 Type	Main Profile
H.265+	Yes
Video Bit Rate	32 Kbps to 16 Mbps
Smart Feature-set	
Behavior Analysis	Line crossing detection, intrusion detection, region entrance detection, region exit detection, unattended baggage detection, object removal detection
Exception	Scene change detection, defocus detection
Face Detection	Yes
Region of Interest	Support 4 fixed regions for each stream, and dynamic face tracking
Image	
Max. Resolution	1920 × 1080
Main Stream	50Hz: 25fps (1920 × 1080, 1280 × 960, 1280 × 720) 60Hz: 30fps (1920 × 1080, 1280 × 960, 1280 × 720)
Sub Stream	50Hz: 25fps (704 × 576, 352 × 288, 640 × 480, 320 × 240) 60Hz: 30fps (704 × 480, 352 × 240, 640 × 480, 320 × 240)
Third Stream	50Hz: 25fps(1920 × 1080, 1280 × 960, 1280 × 720, 704 × 576, 352 × 288, 640 × 480, 320 × 240) 60Hz: 30fps(1920 × 1080, 1280 × 960, 1280 × 720, 704 × 480, 352 × 240, 640 × 480, 320 × 240)

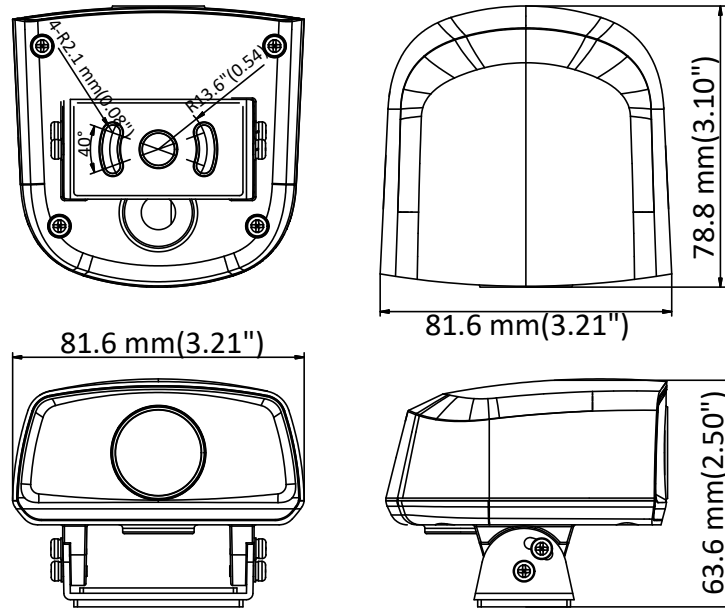
Image Enhancement	BLC, 3D DNR, HLC, defog, EIS
Image Setting	Rotate mode, saturation, brightness, contrast, sharpness, AGC, and white balance are adjustable by client software or web browser
Day/Night Switch	Auto/Schedule
Target Cropping	Yes
Picture Overlay	Logo picture can be overlaid on video with 128 × 128 24bit bmp format, region optional
Network	
Network Storage	Support microSD/SDHC/SDXC card (128 GB) local storage and NAS (NFS,SMB/CIFS), ANR
Alarm Trigger	Motion detection, video tampering, network disconnected, IP address conflict, illegal login, HDD full, HDD error
Protocols	TCP/IP, ICMP, HTTP, HTTPS, FTP, DHCP, DNS, DDNS, RTP, RTSP, RTCP, PPPoE, NTP, UPnP™, SMTP, SNMP, IGMP, 802.1X, QoS, IPv6, UDP, Bonjour
General Function	One-key reset, anti-flicker, three streams, heartbeat, mirror, password protection, privacy mask, watermark, IP address filter
API	ONVIF (PROFILE S, PROFILE G), ISAPI
Simultaneous Live View	Up to 6 channels
User/Host	Up to 32 users 3 levels: Administrator, Operator and User
Client	iVMS-4200, Hik-Connect, iVMS-5200
Web Browser	IE8+, Chrome 31.0-44, Firefox 30.0-51, Safari 8.0+
Interface	
Communication Interface	DS-2XM6222FWD-I: 1 RJ45 10M/100M self-adaptive Ethernet port DS-2XM6222FWD-IM: 1 M12 aviation plug
On-board storage	Built-in micro SD/SDHC/SDXC slot, up to 128 GB
SVC	Yes
Reset Button	Yes
General	
Operating Conditions	-30 °C to +65 °C (-22 °F to +149 °F), Humidity 95% or less (non-condensing)
Power Supply	12 VDC ±20%, PoE (802.3af, class 3) DS-2XM6222FWD-I: Coaxial power plug (∅ 5.5 mm) for DC input DS-2XM6222FWD-IM: Molex plug for DC input
Power Consumption and Current	12 VDC, 0.43 A, max. 4W PoE (802.3af, 36V to 57V), 0.14 A to 0.09 A, max. 5.2 W
Protection Level	IP67
Material	Aluminum alloy
Dimensions	78.8 × 81.6 × 64 mm (3.10" × 3.21" × 2.52")
Weight	Camera: Approx. 330 g (0.73 lb.)

Available Model:

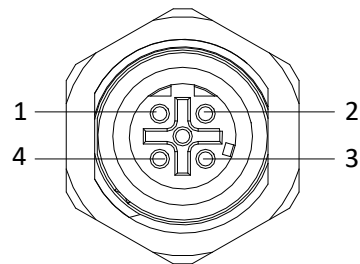
DS-2XM6222FWD-I, DS-2XM6222FWD-IM

**The memory card slot is built inside the shell. If the memory card is required, it is recommended to order and have it installed in factory.*

Dimensions

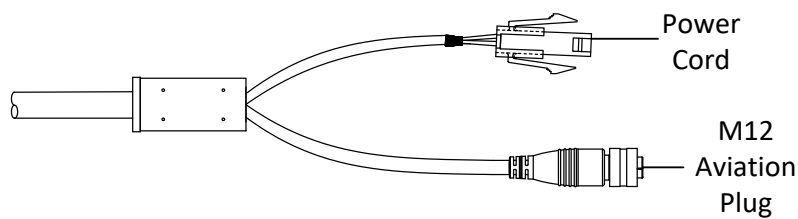


Interface Description

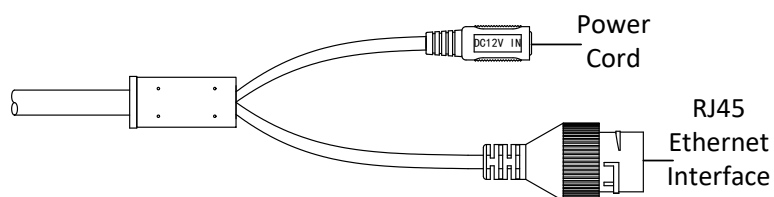


	M12 Wire	R-J45 Wire
TX+	1	1
TX-	3	2
RX+	2	3
RX-	4	6

M12 Interface Description



DS-2XM6222FWD-IM Cable Interface Description



DS-2XM6222FWD-I Cable Interface Description

Distributed by

**HIKVISION®****Headquarters**

No.555 Qianmo Road, Binjiang District,
Hangzhou 310051, China
T +86-571-8807-5998
overseasbusiness@hikvision.com

Hikvision USA
T +1-909-895-0400
sales.usa@hikvision.com

Hikvision Italy
T +39-0438-6902
info.it@hikvision.com

Hikvision Singapore
T +65-6684-4718
sg@hikvision.com

Hikvision Africa
T +27 (10) 0351172
sale.africa@hikvision.com

Hikvision Europe
T +31-23-55-42-770
info.eu@hikvision.com

Hikvision France
T +33(0)1-85-330-450
info.fr@hikvision.com

Hikvision Oceania
T +61-2-8599-4233
salesau@hikvision.com

Hikvision Hong Kong
T +852-2151-1761

Hikvision Middle East
T +971-4-8816086
salesme@hikvision.com

Hikvision Spain
T +34-91-737-16-55
info.es@hikvision.com

Hikvision Canada
T +1-909-895-0400
sales.usa@hikvision.com

Hikvision Russia
T +7-495-669-67-99
saleru@hikvision.com

Hikvision Poland
T +48-22-460-01-50
poland@hikvision.com

Hikvision Korea
T +82-31-731-8841
sales.korea@hikvision.com

Hikvision India
T +91-22-28469900
sales@pramahikvision.com

Hikvision UK
T +01628-902140
support.uk@hikvision.com

Hikvision Brazil
T +55 11 3318-0050
Latam.support@hikvision.com