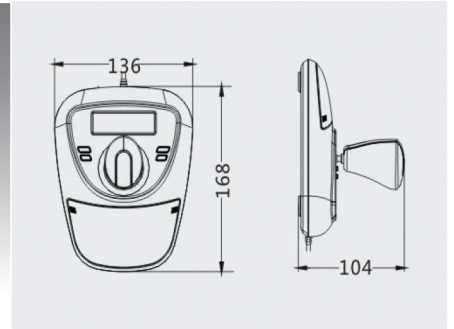


DP-105KI PTZ CONTROLLER



Features

- 3D Joystick
- RS485 Control
- Support multi Protocol, Pelco D/P etc.
- Support multi DVR Portocol, HIKVISION

Specification

Model No.	DP-105KI
Comm.Interface	RS485 IR Remote
Protocol	Pelco-P/Pelco-D/HCDVR/DH
Communication Interface	RS485X1 IR Remote X1
Communication Distance	RS485,1.2KM
Communication Frequence	2400,4800,9600,19200bps
Humidities	Less than 90%
Operation Temperature	-10 °C ~ +50 °C
Operation Voltage	DC 12V±10%
Operation Consumption	168mm x 136mm x 104mm(L x W x H)
Weight	845g
Material	ABS Plastic Cover